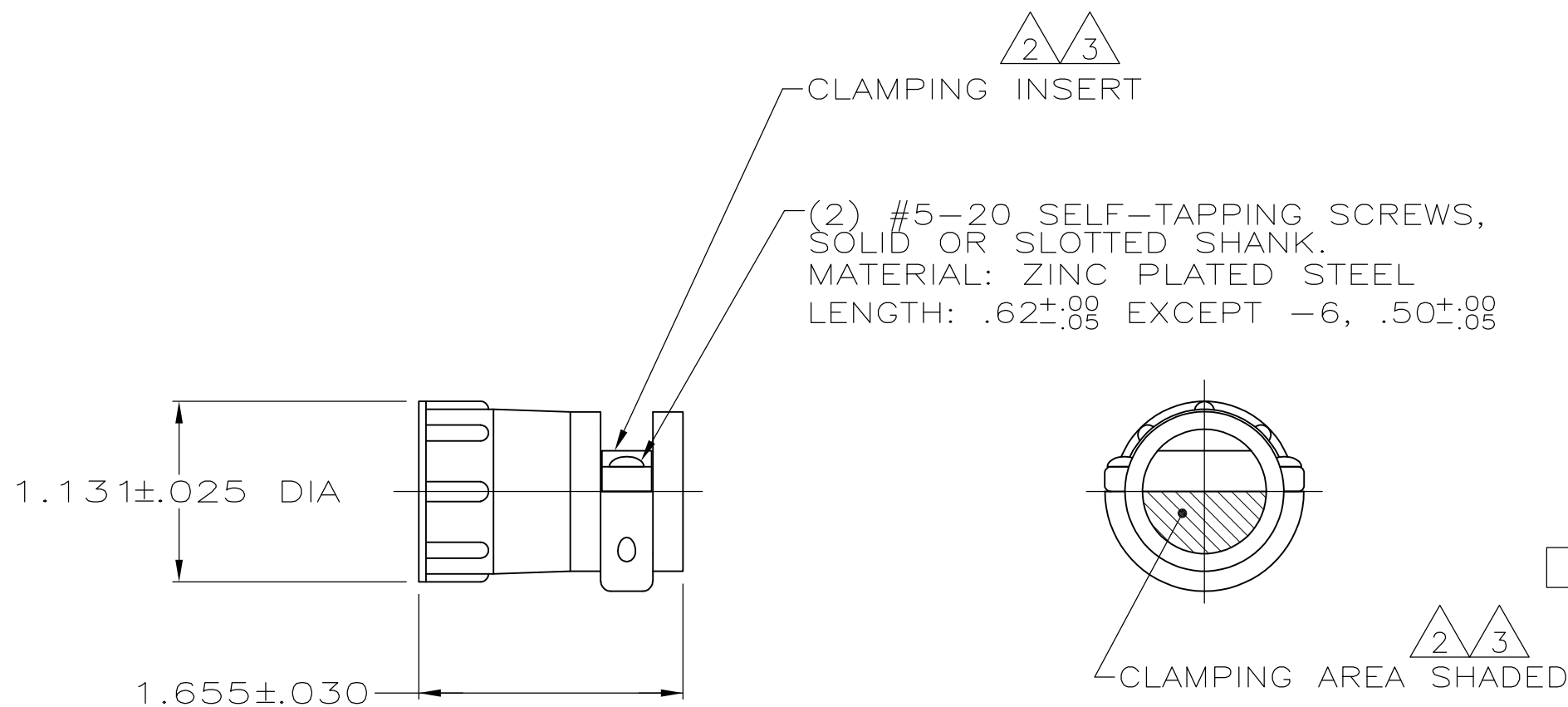


THIS DRAWING IS UNPUBLISHED. RELEASED FOR PUBLICATION
 © COPYRIGHT BY TYCO ELECTRONICS CORPORATION. ALL INTERNATIONAL RIGHTS RESERVED.

LOC	DIST	REVISIONS					
FT	0	P	LTR	DESCRIPTION	DATE	DWN	APVD
		P		REVISED PER ECO-08-029128	22NOV08	HMR	MS

- 1 PARTS PACKAGED UNASSEMBLED.
- 2 CABLE CLAMPING AREA ADJUSTABLE FROM .100 TO .410 SQ IN BY REVERSING CLAMPING INSERTS. (2 INSERTS SUPPLIED, -1 AND -2 ONLY)
- 3 CABLE CLAMPING AREA ADJUSTABLE FROM .100 TO .410 SQ IN BY CHANGING CLAMPING INSERTS. (4 INSERTS SUPPLIED, -4 ONLY)
- 4 .703 MAXIMUM CABLE OUTSIDE DIAMETER.
- 5 BULK PACKAGED KITS TO BE ORDERED IN MULTIPLES OF 100 ONLY.
- 6 NON-HEXAVALENT CHROMATE FINISH.



6	INDIVIDUAL	1-206322-1
6	5 BULK	1-206322-0
6	INDIVIDUAL	206322-9
6	SMALL PACK	206322-8
6	INDIVIDUAL	206322-7
6	5 BULK	206322-6
6	SMALL PACK	206322-5
6	OBSOLETE INDIVIDUAL	206322-4
6	5 BULK	206322-2
6	INDIVIDUAL	206322-1
PACKAGING		PART NUMBER

THIS DRAWING IS A CONTROLLED DOCUMENT.		DWN	4/23/91		Tyco Electronics Corporation Harrisburg, PA 17105-3608		
DIMENSIONS: INCHES		CHK	7-22-92		CABLE CLAMP KIT, LARGE, SHELL SIZE 17, CPC		
TOLERANCES UNLESS OTHERWISE SPECIFIED:		W.G.LENKER		NAME			
0 PLC ± -		-		PRODUCT SPEC			
1 PLC ± -		-		108-10024			
2 PLC ± -		-		APPLICATION SPEC			
3 PLC ± -		-		SIZE		CAGE CODE	DRAWING NO
4 PLC ± -		-		A3		00779	C-206322
ANGLES ± -		-		RESTRICTED TO		-	
MATERIAL THERMOPLASTIC		FINISH -		WEIGHT -		SCALE NTS	
CUSTOMER DRAWING				SHEET 1 OF 1		REV P	